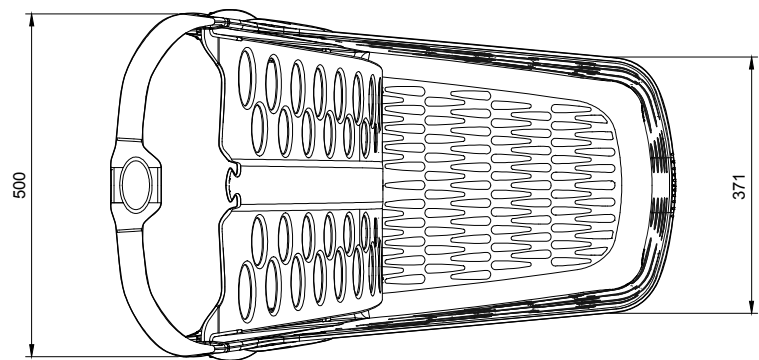
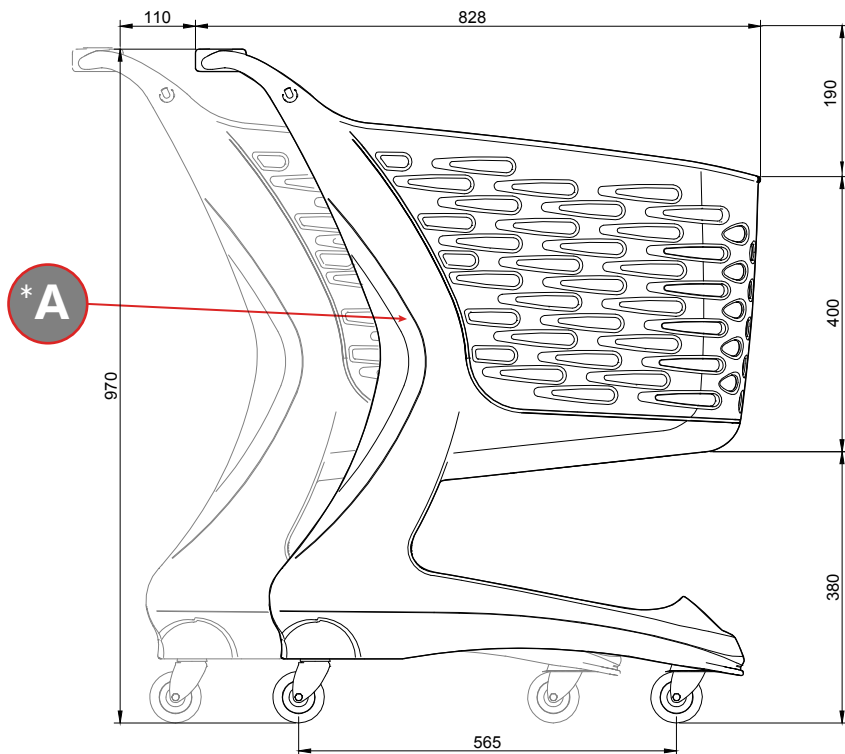
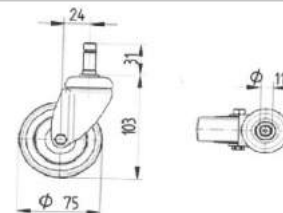


MODEL 80L MINI



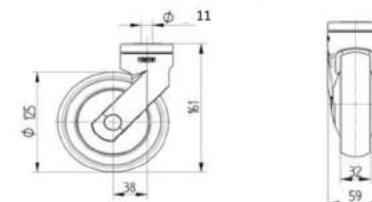
STANDARD CASTOR

Ø 75 MM TENTE 2470PIP075B10



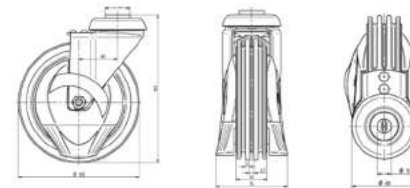
SYNTHETIC CASTOR

Ø 100 MM TENTE 2370PIP100P30-13 *
Ø 125 MM TENTE 5370PJP125P30-13 **



TRAVELATOR CASTOR

Ø 125 MM TENTE 2875QMP125P30-11



| TYPE | *RAW MATERIAL | WEIGHT |
|--------------|-----------------------------------|------------|
| BASIC 80 L | A = PP 15% GF (Polypropylene) | kg 8,4 |
| EKO 80 L | A = PP 15% GF (>75% Recyclate) | kg 8,4 |
| GLAMOUR 80 L | A = PC (Polycarbonate) | kg 10,4 |